

---

**616082**

FTL70E7

**ELECTRIC GRIDDLE WITH SMOOTH PLATE (TOP VERSION)**

---



- Electric griddle (70 cm top version) with a smooth steel plate.
- Horizontal cooking plate (12 cm thick), 2 independent work areas.
- Grooving with a cap and removable drawer for collecting grease and liquids.
- Height-adjustable rubberised plastic feet (15-25 mm).
- Stainless steel control panel, side and back panels.
- Module coupling system with external side joints.
- Appliances intended for direct cooking.
- Cooking plate hermetically sealed to the worktop.
- Heating through stainless steel armoured heating elements.
- Operating thermostatic valve with temperature control ranging between 70°C and 300°C.
- Fitted with a safety thermostat that triggers in case of abnormal operation.
- Removable splashback on 3 sides included.
- Technical compartment for easy connection to the electrical network.

## TECHNICAL DATA

TOTAL POWER	7,8 kW	ELECTRIC POWER	7,8 kW
FREQUENCY	50/60 Hz	VOLTAGE	380-415 3N~ V
TEMPERATURE RANGE	50÷320 °C	MINIMUM POWER CABLE CROSS-SECTION	5 x 1,5 n° - mm <sup>2</sup>
COOKING SURFACE	69,6x56,4 cm	ELECTRIC CABLE TYPE	H07 RN-F
PLATE TYPE	Smooth	HEATING ZONES	n° 2
ELECTRICAL CONNECTION HEIGHT (H)	26 mm	ELECTRICAL CONNECTION HEIGHT (X)	657 mm
ELECTRICAL CONNECTION HEIGHT (Y)	-78 mm	FOOT HEIGHT	15 mm
FOOT ADJUSTMENT	15/25 mm	IPX RATING	4
WIDTH	70 cm	DEPTH	70 cm
HEIGHT	28 cm	PACKAGE WIDTH	77,0 cm
PACKAGE DEPTH	81,0 cm	PACKAGE HEIGHT	53,0 cm
NET WEIGHT	59,6 kg	GROSS WEIGHT	67 kg
VOLUME	0,3300 m <sup>3</sup>	HARMONISED CODE	84198180
LATENT HEAT RELEASE	3120.0 W	SENSIBLE HEAT RELEASE	2574.0 W
STEAM RELEASE	4586.4 g/h		

## ACCESSORIES

120595	GRIDDLE-CLEANING SCRAPER
120597	SCRAPER - SPARE BLADE KIT (10 PCS)
619005	PAIR OF JOINTS FOR GRIDDLES

INSTALLATION SCHEMES

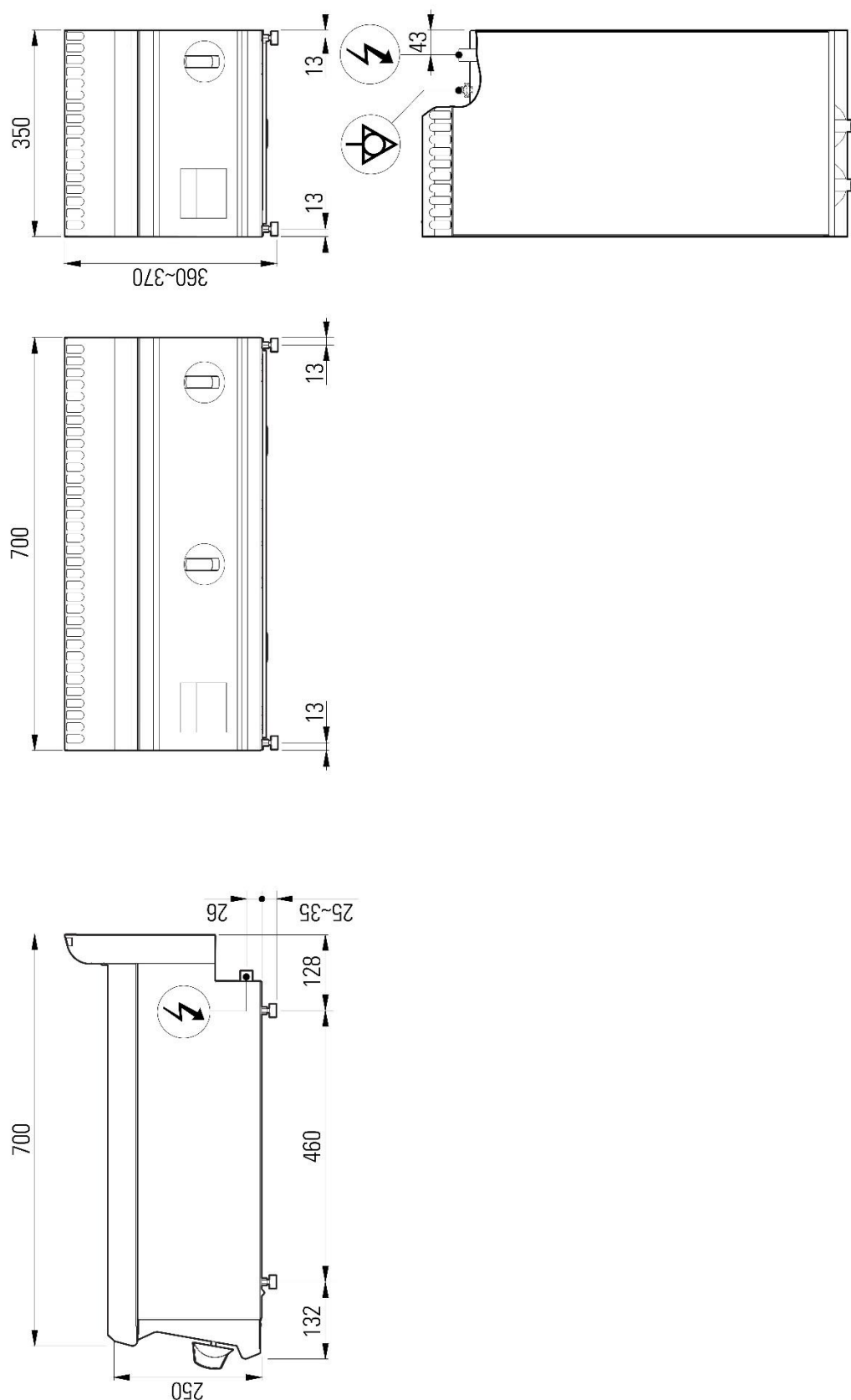


Fig.1 | Abb.1 | рис.1 - 5416.162.00