


Upright Cabinets

T-23F-HC

 Upright Foodservice Freezer, 1 Full Solid Swing Door



Dimensions		Build		Technical	
External Width (mm)	686	Door Description	1 Solid Swing Door	Temperature Holding	-23°C
External Depth (mm)	750	Door Opening	Right (standard) or Left.	Refrigerant	R290
External Height (mm)	2074	Exterior Construction	Stainless steel front, aluminium sides & rear	Voltage / Frequency / Phase	220-240V/50Hz/1
Exclusions	Depth does not include 13 mm for rear access panel.	Interior Construction	Clear coated aluminium, stainless steel base	Amps	2.2
Net Volume (Litres)	438	Air Intake Position	Front	60Hz model Amps	2.7
Gross Volume (Litres)	651	Ventilation Position	Rear	Wattage	506.00000000000006
Supplied Shelves	4	Clearance Required	26 mm rear, zero sides	60Hz model Wattage	621
Shelf Size (L x D mm)	582 x 591	Cord Length (Meters)	2.74	Climate Class	5
Internal Net Height (mm)	1300	Internal Lighting	LED	Operating Statement	Heavy Duty: This appliance is intended for use in ambient temperatures up to 40°C.
Unpackaged Weight (kg)	123	Standard w/ Locks	standard	Testing Standard	EN 16825
Packaged Weight (kg)	134			EEC	D
Packaged Dimensions (W x D x H mm)	909 x 788 x 2134			EEl	56.2
Supplied Supports	ø 64 mm castors (83 mm height)			kWh/24hr	5.58
				kWh/Annum	2039
				Defrost Type	Auto



Specifications subject to change without notice.
 Technical data above related to energy use based on testing of 50Hz or Dual Frequency models
 Chart dimensions rounded up to the next whole millimeter (inches rounded up to the 1/8")

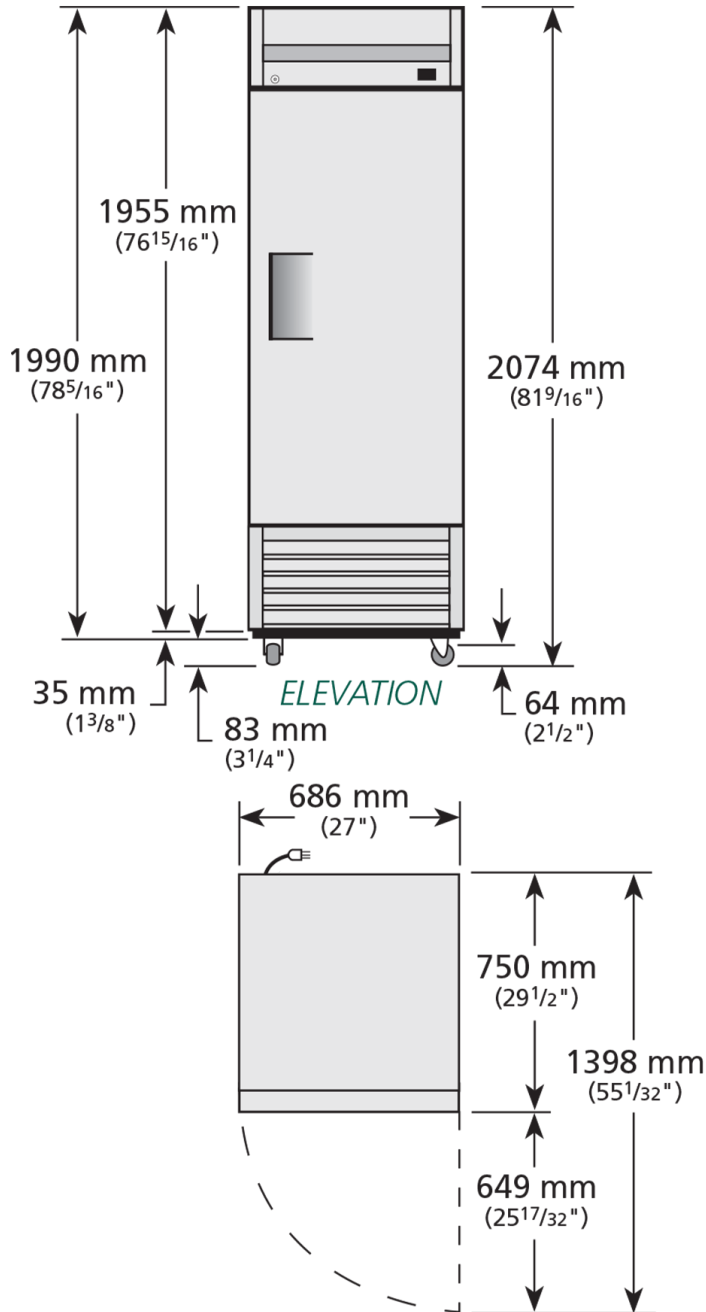
UK & Ireland [0800 783 2049](tel:08007832049)
 EMEA [+41 61 563 07 05](tel:+41615630705)
 Australia [+61 2 9619 9999](tel:+61296199999)

TFIUK@truemfg.com
TrueCHCustomerService@truemfg.com
TrueRefAus@truemfg.com



T-23F-HC

🇬🇧 Upright Foodservice Freezer, 1 Full Solid Swing Door



Specifications subject to change without notice.
Technical data above related to energy use based on testing of 50Hz or Dual Frequency models
Chart dimensions rounded up to the next whole millimeter (inches rounded up to the 1/8")

UK & Ireland [0800 783 2049](tel:08007832049)
EMEA [+41 61 563 07 05](tel:+41615630705)
Australia [+61 2 9619 9999](tel:+61296199999)

TFIUK@truemfg.com
TrueCHCustomerService@truemfg.com
TrueRefAus@truemfg.com

