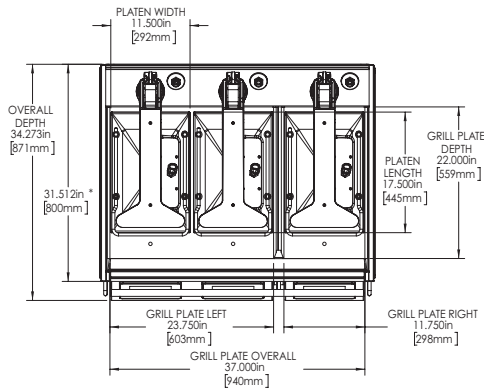
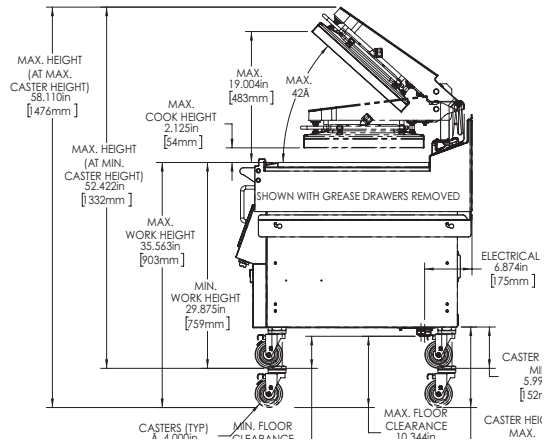
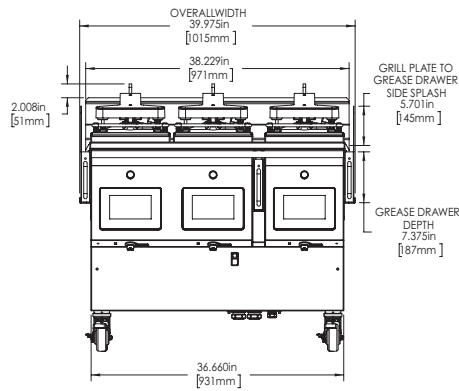
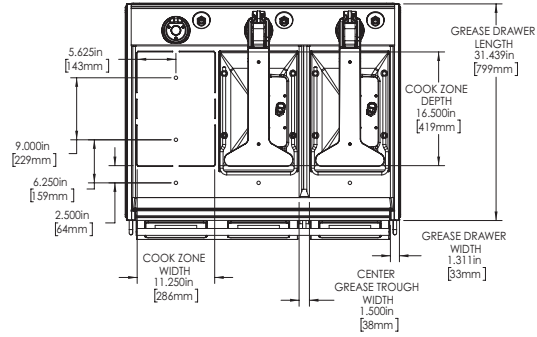


3-Platen Electric Clamshell Grill



*NARROWEST DIMENSION FOR ENTRY THROUGH STANDARD 32" DOORWAY WITH REMOVAL OF CONTROL PANEL AND TOWEL BAR

SHOWN WITH LEFT PLATEN REMOVED



Electrical Input Specification - DELTA

ME-3PX CSA MODELS - DELTA					
MODEL	Volts 3L (DELTA) 50/60 Hz	Total Current (A)			Power (kW)
		L1	L2	L3	
3PX 2 Input Cord 1	200V	24.5	24.3	23.5	7.7
	208V	24.2	24.0	23.2	7.8
	220V	22.7	22.2	21.5	7.6
	230V	22.2	21.3	20.7	7.6
	240V	21.9	20.8	20.2	7.6
3PX 2 Input Cord 2	200V	46.9	46.6	46.6	15.6
	208V	45.7	45.4	45.4	15.6
	220V	41.1	41.2	41.2	15.1
	230V	38.1	38.9	38.9	15.2
	240V	37.0	37.9	37.9	15.1

Interlock :

HVAC Hood / Fire Suppression Interlock Circuit

DELTA 3.6 Amp, WYE 1.9 Amp

*When tested according to ASTM F1605 under heavy-load cooking conditions the average power consumption is 61% of maximum power**

Electrical Input Specification - WYE

ME-3PX CE MODELS - WYE					
MODEL	Volts 3N*(WYE) 50/60 Hz	Total Current (A)			Power (kW)
		L1	L2	L3	
3PX 1 Input	220V/380V	35.1	35.1	35.4	22.7
	230V/400V	33.2	33.2	33.5	22.8
	240V/415V	32.1	32.1	32.4	22.7
3PX 2 Input Cord 1	220V/380V	15.3	13.8	12.1	7.6
	230V/400V	15.1	13.8	11.3	7.6
3PX 2 Input Cord 2	220V/380V	24.3	25.5	24.0	15.1
	230V/400V	23.2	25.0	22.3	15.2
	240V/415V	22.3	24.8	21.6	15.1
3PX 3 Input Cord 1	220V/380V	15.3	13.8	12.1	7.6
	230V/400V	15.1	13.8	11.3	7.6
	240V/415V	14.7	13.8	11.3	7.6
3PX 3 Input Cord 2	220V/380V	12.1	15.3	13.8	7.6
	230V/400V	11.3	15.1	13.8	7.6
	240V/415V	11.3	14.7	13.8	7.6
3PX 3 Input Cord 3	220V/380V	13.8	12.1	15.6	7.6
	230V/400V	13.8	11.3	15.4	7.6
	240V/415V	13.8	11.3	15.0	7.6

Form# ME-3PX (09/14/17)